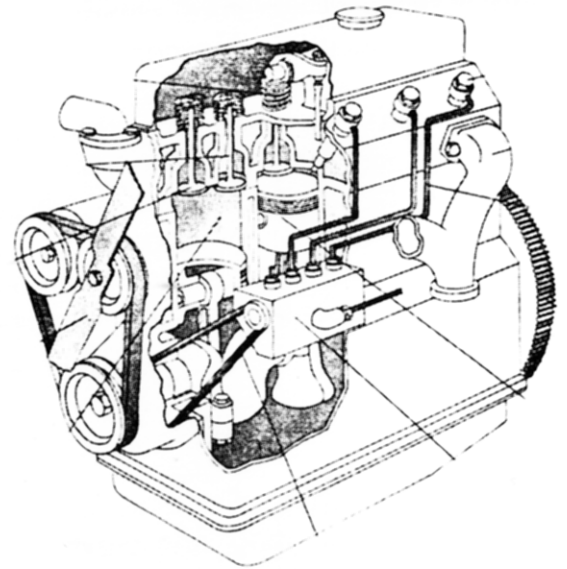
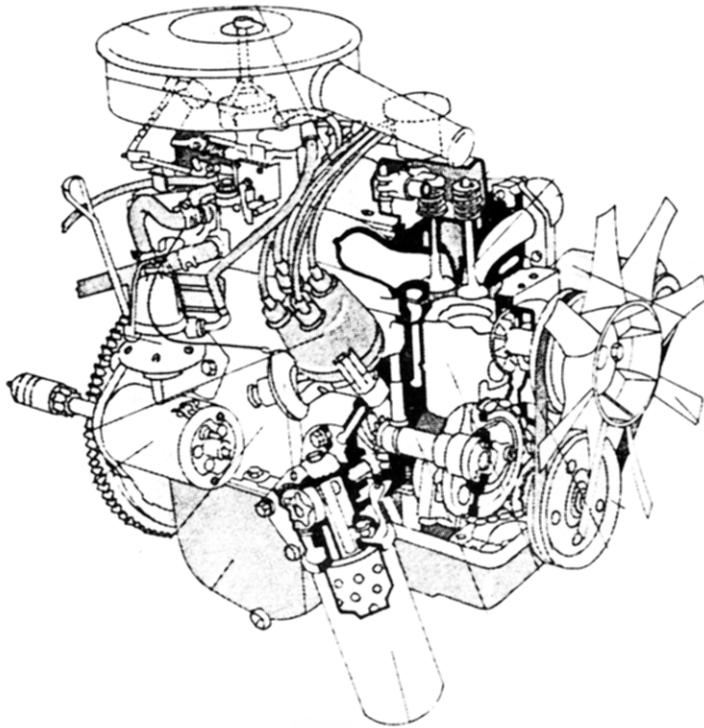


Product Data

PERFORMANCE PLUS Fuel Additive



- ✓ Saves Energy Through Lower Fuel Consumption
- ✓ Prevents Frozen Lines And Carburetors
- ✓ Prevents Excessive Smoking
- ✓ Dissolves Gum And Varnish Deposits
- ✓ Displaces Moisture

ATCO
INTERNATIONAL

...setting performance
standards worldwide...

APPLICATIONS

PERFORMANCE PLUS is a highly effective treatment for use in diesel or gasoline engines, including furnaces using diesel oil. It provides cleaner and more efficient use of power systems, as fuel burns more cleanly and gives more heat at less cost. PERFORMANCE PLUS cleans injectors and dissolves gum and varnish deposits. It displaces moisture, cleans pump lines and suppresses excessive smoking. PERFORMANCE PLUS also provides all weather protection by preventing frozen lines and carburetors.

Use in truck and auto depots, construction sites, municipal garages, industrial furnaces, boat yards, shipping companies, bus companies and oil and mining companies.

DIRECTIONS

Gasoline engines: For moisture protection, faster starting and prevention of carbon buildup, use 4 ounces to 32 gallons of gasoline.

Diesel engines: Add 20 ounces of product per 20-40 gallons of diesel fuel. To correct excessive smoking or hard starting, add 20 ounces per 60 gallons of fuel. Treat bulk storage using 20 ounces per 150 gallons of fuel.

Heating systems: Use 20 ounces per 150 gallons of fuel oil for systems in good condition. Use 40-80 ounces per 150 gallons of fuel oil for systems in poor condition. For preventative maintenance, add 20 ounces per 1000 gallons of fuel oil to keep tank lines, nozzles and strainers in top condition.

TECHNICAL DATA

Composition:	Toluene, alcohol, aliphatic hydrocarbons
Type:	Solvent
Flash Point:	53°F
Specific Gravity:	0.83
Color:	Colorless to slight yellow



...setting performance
standards worldwide...

C-2/PC-5220/0205